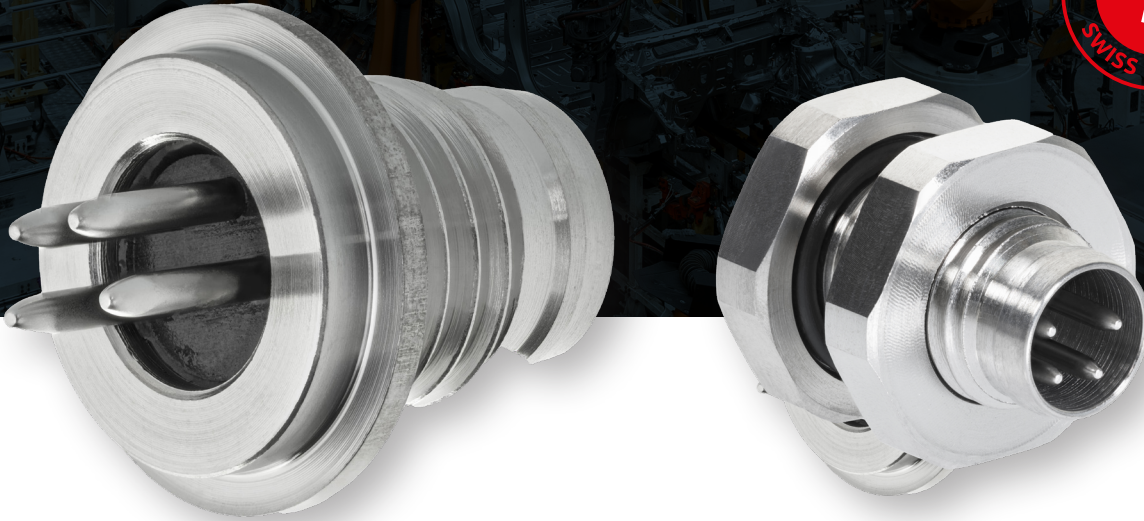








DG-LINE HERMETIC M8 CONNECTORS



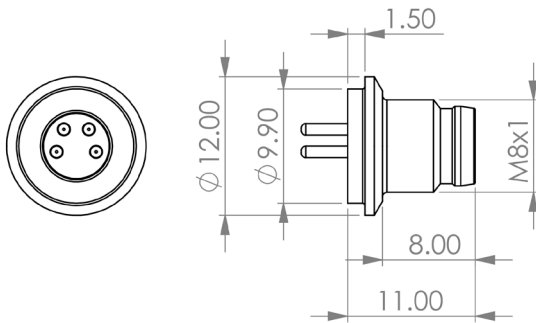
Don't take a chance when reliability and performance are critical. Protect your sensitive device from environmental impact! DG-Line Connectors based on glass-to-metal sealing offer true hermetic capability.

Features & Advantages

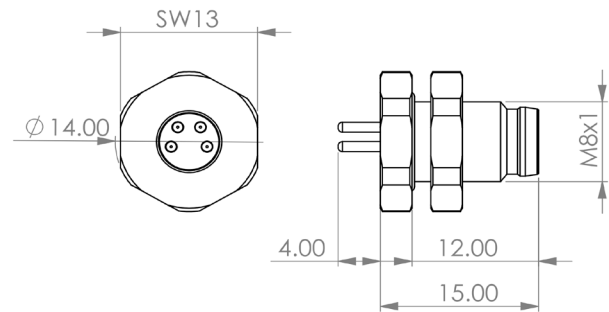
-  **Completely gastight and waterproof**
Helium leak rates below 1e-8 mbar*l/s
-  **High pressure and temperature capability**
Can withstand 200°C and 200 bar
-  **Robust design and materials**
316L / 1.4404 stainless steel shells and glass inserts for superior protection
-  **Compatible to IEC 61076-2**
Worldwide compatibility with cables readily available on the market (M8 code-A)
-  **Reliable over years or decades**
The worry-free option for critical applications
-  **Various options to fit your application**
Weld-mount and Jam-nut installation options

Installation & Shell options

Weld-Mount



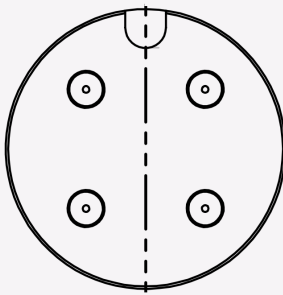
Jam-Nut



For the best performance and lowest leak-rates we recommend the weld mount installation if possible.

Glass Inserts

4-Pin



Contact Terminals

Straight



PCB



Specifications

- Shell material: 1.4404 / 316 L
- Insulator material: Glass
- Pin material: NiFe Alloy
- Pin Finish: Noble metal alloy
- Max. electrical current: 1 A
- Temperature Range: -40...200 °C
- Burst Pressure: > 200 bar
- Helium leak rate: < 1e-8 mbar*l/s
- Insulation: 100 MOhm @ 100 VDC
- Breakdown Voltage: 500 VAC